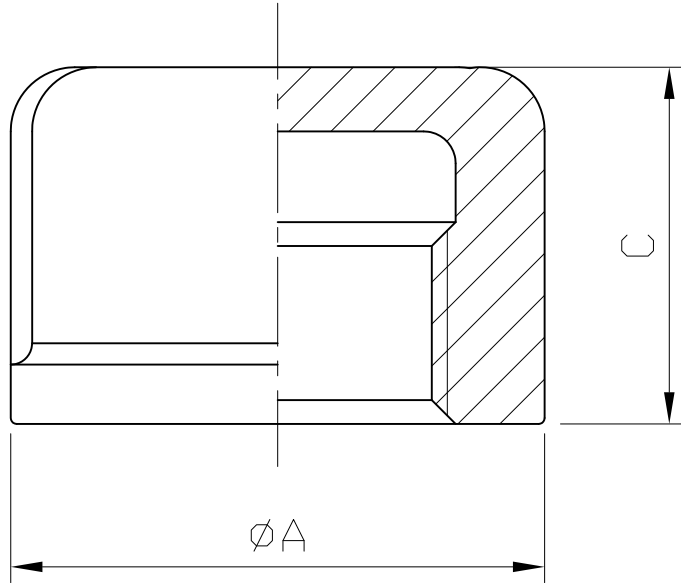


ROUND CAP



SIZE	A		C	
	mm	in	mm	in
1/8"	15.9	0.63	17	0.67
1/4"	19.1	0.75	18.1	0.71
3/8"	22.7	0.89	18.2	0.72
1/2"	29.2	1.15	20	0.79
3/4"	34.3	1.35	21.6	0.85
1"	42	1.65	26.5	1.04
1-1/4"	51.1	2.01	29	1.14
1-1/2"	57.8	2.28	28.8	1.13
2"	70.4	2.77	31.6	1.24
2-1/2"	83.2	3.28	38.7	1.52
3"	100.2	3.94	40.7	1.6
4"	127.5	5.02	41	1.61

Tolerance: $\pm 0.5\text{mm}$ (1/8"~2")
 $\pm 0.8\text{mm}$ (2-1/2"~4")