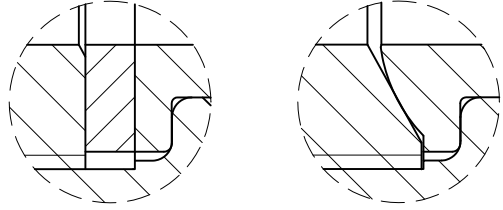


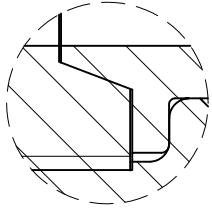
UNION M/F

A VIEW

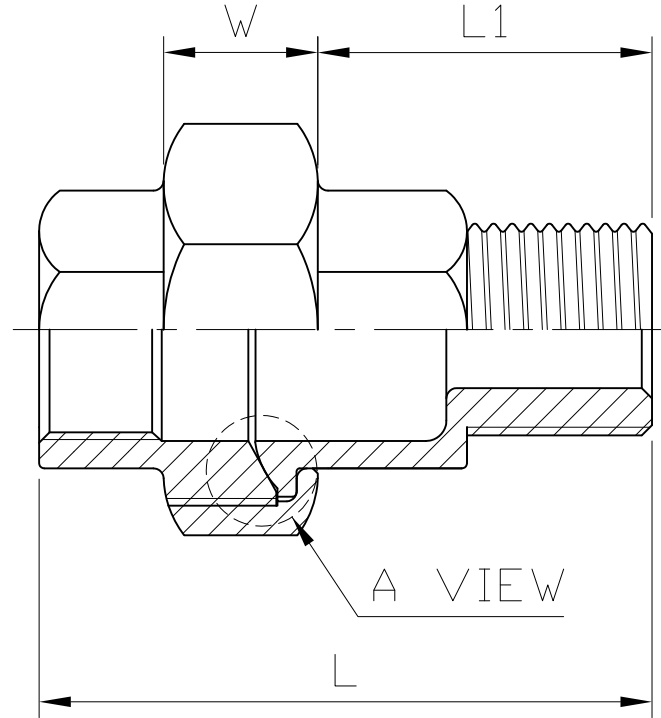


Flat union

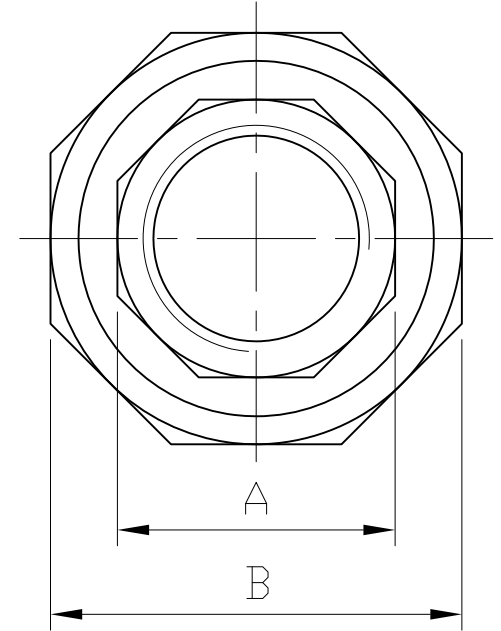
Conical union



Conical union
with conical seat



1/8"~1/4" Hexagon
3/8"~1" Octagon
1-1/4"~4" Decagon



SIZE	1/8"		1/4"		3/8"		1/2"		3/4"		1"		1-1/4"		1-1/2"		2"		2-1/2"		3"		4"	
	mm	in	mm	in	mm	in	mm	in	mm	in	mm	in	mm	in	mm	in	mm	in	mm	in	mm	in	mm	in
L	46	1.81	46	1.81	48	1.89	52.8	2.08	58.6	2.31	66.5	2.62	73.5	2.89	74.5	2.93	80.5	3.17	97	3.82	119	4.69	115.5	4.55
L1	22.4	0.88	22.7	0.89	21.5	0.85	26	1.02	28.6	1.13	32.2	1.27	35	1.38	35	1.38	39	1.54	49.5	1.95	58.5	2.3	50	1.97
A	17.2	0.68	17.2	0.68	20.3	0.8	26	1.02	30.6	1.2	38	1.5	47.3	1.86	53	2.09	66	2.6	83	3.27	96	3.78	122	4.8
B	28	1.1	28	1.1	34	1.34	39.2	1.54	46	1.81	55	2.17	63.5	2.5	71	2.8	85	3.35	105.5	4.15	123.7	4.87	153.5	6.04
W	12.2	0.48	12.2	0.48	15	0.59	15	0.59	15	0.59	17	0.67	20	0.79	20	0.79	20.8	0.82	24	0.94	28	1.1	33	1.3

Tolerance: $\pm 0.5\text{mm}$ (1/8"~2")
 $\pm 0.8\text{mm}$ (2-1/2"~4")