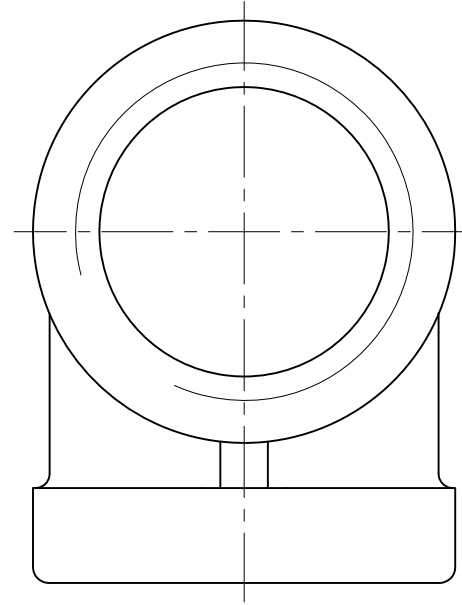
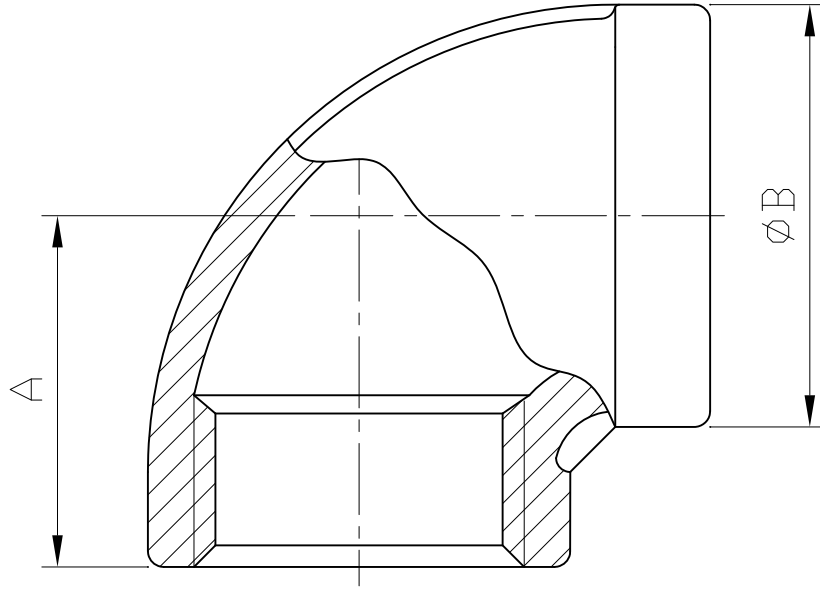


ELBOW 90°



SIZE	1/8"		1/4"		3/8"		1/2"		3/4"		1"		1-1/4"		1-1/2"		2"		2-1/2" (NPT)		2-1/2" (PS)		3"		4"	
	mm	in	mm	in	mm	in	mm	in	mm	in	mm	in	mm	in	mm	in	mm	in	mm	in	mm	in	mm	in	mm	in
A	17	0.67	19	0.75	21.5	0.85	27	1.06	30	1.18	35	1.38	43	1.69	45	1.77	54	2.13	69	2.72	69	2.72	72	2.83	89	3.5
B	15.5	0.61	18.8	0.74	22.5	0.89	25.5	1	31.6	1.24	41.2	1.62	48.5	1.91	54.9	2.16	67.4	2.65	81.3	3.2	83.6	3.29	100.5	3.96	126.5	4.98

Tolerance: $\pm 0.5\text{mm}$ (1/8"~2")
 $\pm 0.8\text{mm}$ (2-1/2"~4")