

D341 PN10

Bronze Draining Taps

Bronze draining taps are suitable for use on hot and cold water up to 10 bar, at temperatures up to 110°C.

The inlet is a threaded taper male connection to BS 21, the outlet is ribbed for hose connection. WRAS approved.

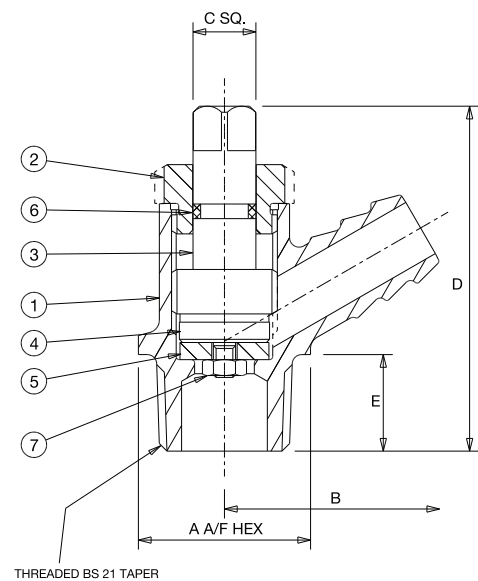
Materials

NO.	PART	MATERIAL	SIZES
1	Body	Bronze BS EN 1982 CC491K	All
2	Gland	Brass BS EN 12164 CW614N	All
3	Stem	Brass BS EN 12164 CW614N	All
4	Washer Plate	Brass BS EN 12164 CW614N	All
5	Washer	Ethylene Propylene	All
6	O-Ring	Ethylene Propylene	All
7	Nut	Brass BS EN 12164 CW614N	All



D341

Dimensional Drawing



Dimensions & Weights

SIZE (inch)	WEIGHT (kg)	A (mm)	B (mm)	C (mm)	D (mm)	E (mm)
1/2	0.12	24.6	33.8	7.7	59.9	15.2
3/4	0.34	32.4	47.9	8.4	79.8	17.2
1	0.58	40	62.5	9.5	87.9	20.3

PRESSURE RATING: PN10

TEMPERATURE OPERATING RANGE: 0 to 110°C

UK END CONNECTION: BS 21 Taper Male

US END CONNECTION: Not Specified

OPERATOR: Loose Key Operation

SPECIFICATION: Sizes 1/2" and 3/4" draining taps are designed and manufactured in accordance with BS 2879 type 2.

This valve is excluded from the requirements of the Pressure Equipment Directive 97/23/EC, Article 1 - 3.20.